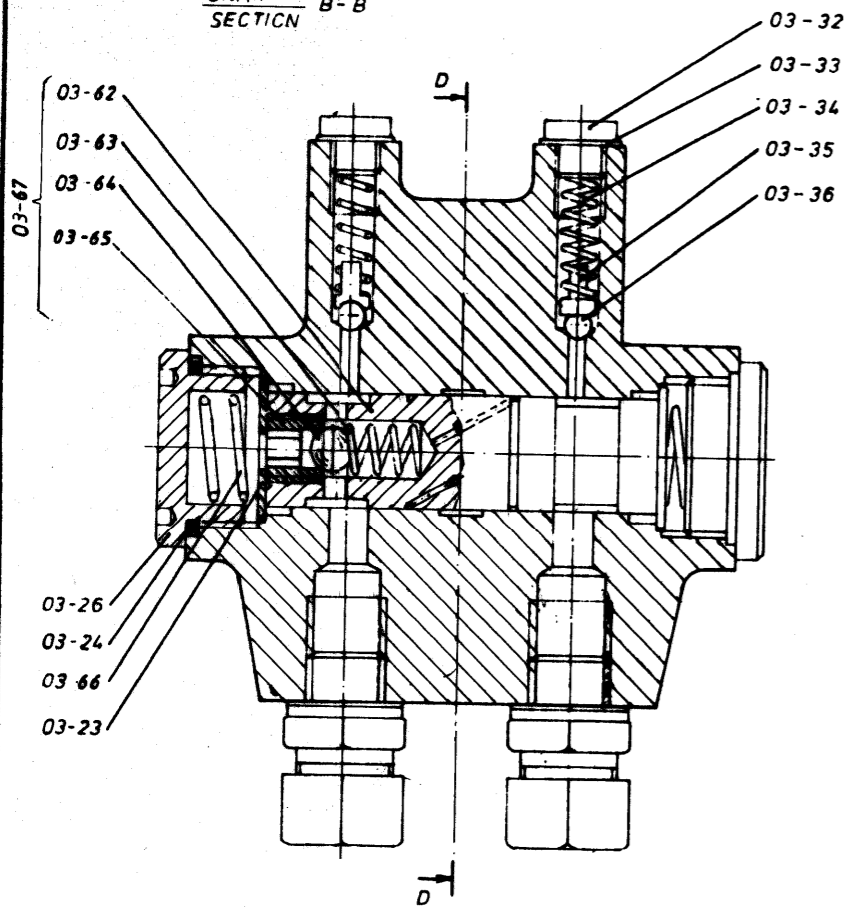
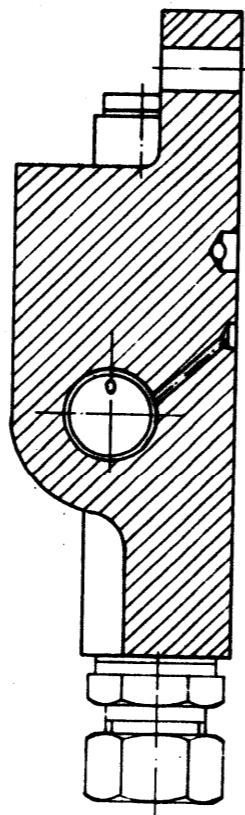


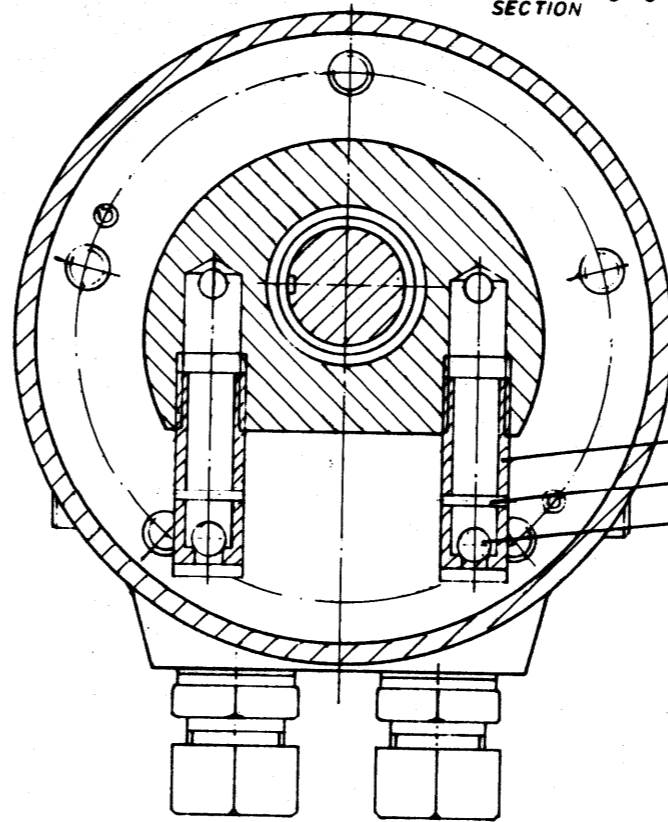
SNITT
SECTION B-B



SNITT
SECTION D-D

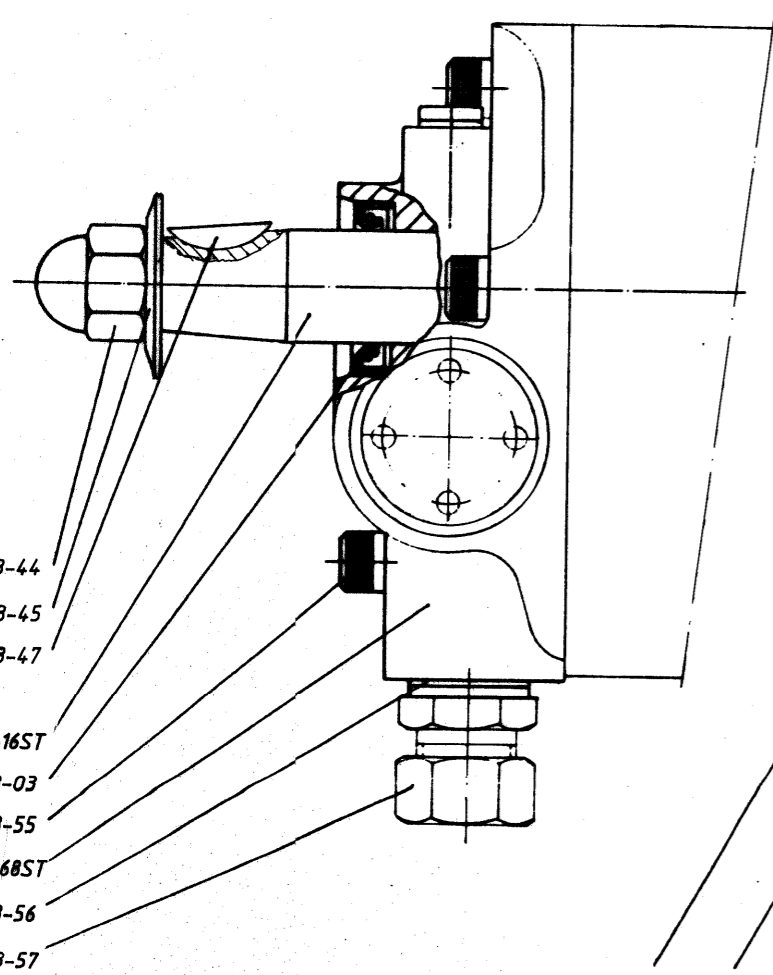


SNITT
SECTION C-C



REVISION	a-0055														
	040387AE														
ULSTEIN TENFJORD AS											REPLACEMENT FOR R-2190				
N-6264 TENNFJORD, NORWAY											REPLACED BY				
RATTPUMPE / WHEEL PUMP TYPE H030S / H030ST											DRAWG. NO. R-4075 ^o				
A: /											DRWR PHK 16.06.82				
SCALE											TRAC				
ART. NO.:											CONTR				

H30 ST UTFORELSEN
THE H30ST MODEL



SNITT
SECTION A-A

